

serie TH-005

Heavy Duty Throat Microphone



Features

Hi-efficiency throat microphone with discrete lapel earpiece.
Easy acoustic sound tube substitutability
PTT configurable on separate wires

Speaker

Impedance:	110Ω ± 20% at 1KHz
Frequency Response:	200 Hz ÷ 5KHz
Max Input Power:	10mW
Output SPL:	90 ± 5 dB SPL 1KHz
Distortion:	5% Max at 1KHz - 1mW

Microphone

Transducer type:	Electret condenser microphone
Directivity:	Omni-directional
Sensitivity (1KHz):	-45 dB ± 5 dB RL = 2.2KΩ Vs=2.0V
Frequency Response:	200 Hz ÷ 10KHz
Standard Op. Voltage:	2 ÷ 10V
Current Consumption:	≤ 0.7mA
S/N Ratio:	> 58dB

PTT

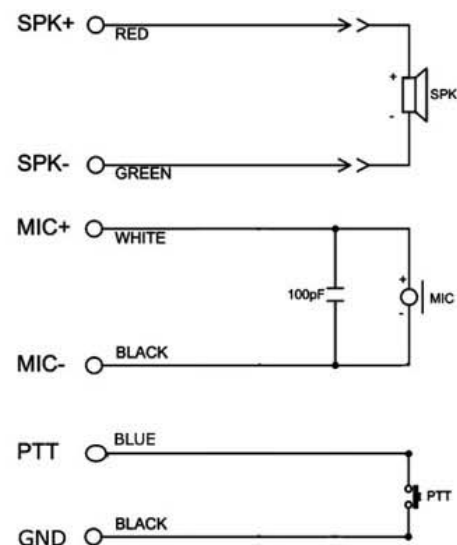
(as pure contact):	≤ 1Ω ON > 1MΩ OFF
on mic path:	push to talk

Cable

diameter:	3 mm
length:	15 cm

Connector

on request



Ancillary for PMR

