

serie TH-001

Light Duty Headset

Features

Behind-the-head headset with noise-cancelling boom microphone and earphone
PTT configurable on separate wires

Speaker

| | |
|----------------------|-------------------------|
| Transducer type: | Dynamic Speaker |
| SPL: | 90 dB \pm 5 dB / 1KHz |
| Impedance: | 64 Ω \pm 20% |
| Frequency Response: | Fo-6KHz |
| Rated Input Power: | 100mW |
| Maximum Input Power: | 200mW |

Microphone

| | |
|-----------------------|--|
| Transducer type: | Electret condenser microphone |
| Directivity: | Omni-directional |
| Sensitivity (1KHz): | -38 dB \pm 5 dB RL = 2.2K Ω Vs = 2.0V |
| Frequency Response: | 200 Hz \div 10KHz |
| Standard Op. Voltage: | 2 \div 10V |
| Current Consumption: | \leq 0.7mA |
| S/N Ratio: | > 58dB |

PTT

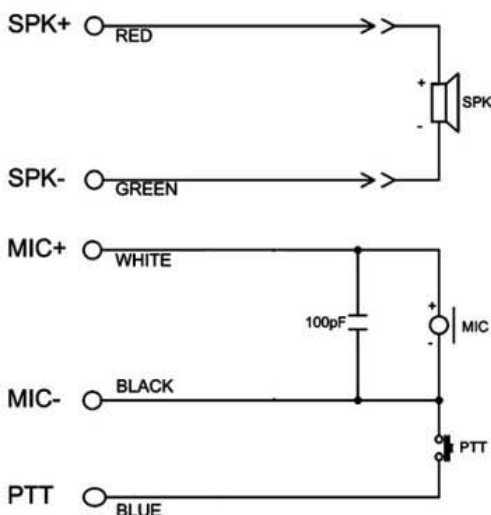
| | |
|--------------------|---|
| (as pure contact): | \leq 1 Ω ON > 1M Ω OFF |
|--------------------|---|

on mic path: push to talk

Cable

| | |
|-----------|-------------------------|
| diameter: | 3 mm |
| length: | [25 + 30(coil) + 25] cm |

Connector
on request



Ancillary for PMR